

SECTION 11110

LAUNDRY WASHER-EXTRACTOR, 35 LB. (15.9 KG) CAPACITY

PART 1 GENERAL

1.01 SECTION INCLUDES:

- A. Automatic laundry washer-extractor for processing water-washed linen items

1.02 SYSTEM DESCRIPTION

A. DESIGN REQUIREMENTS:

1. Construction: 304 or equal stainless steel cylinder, tub & cover panels
2. Input voltage: 208-240/60/1-3, 2-3 wire plus ground
3. Dry weight capacity: 35 lb. (15.9 kg)
4. Wash cylinder volume: 5.76 cu ft (163105 cu cm) minimum
5. Overall width: 33-3/8 inches (826 mm) nominal
6. Overall height: 55-1/2 inches (1410 mm) nominal
7. Overall depth: 43-5/8 inches (1108 mm) nominal
8. Number / size of water supply inlet valves: 4 at 1/2 inch (134 mm), all with 3/4 inch (19 mm) NH male connections
9. Number & size of drain outlets: 1 at 2.4 inch (60 mm)
10. Overflow: Internally plumbed
11. Control system: Programmable microprocessor
12. Cylinder drive: Single motor, 5 hp, capable of 898 RPM maximum

B. PERFORMANCE REQUIREMENTS:

1. Number of selectable cylinder speeds: 8, including 1/2 wash speed for processing delicate items
2. G-force at highest extract speed: 300 G's
3. Chemical supply system
 - a. manually filled 5 compartment dry chemical dispensing system
 - b. automatic flushing & connections for 5 external supply lines & control signals for 8 external supplies
4. Configured for possible future addition of water reuse system
5. Spray rinse system
6. Control system
 - a. Programmable microprocessor; (manual, PDA or laptop PC)
 - b. 41 cycle capacity
 - c. 30 programmable water levels
 - d. graphic display with words and icons
 - e. automatic maintenance reminders
 - f. PC software with management reports

- g. real-time clock allows time and date stamp to 100+ items
 - h. water monitoring: slow drain and auto leak detection system
 - i. diagnostic capabilities
7. Drain valve automatically opens in event of power failure

1.03 DELIVERY, STORAGE & HANDLING

A. ACCEPTANCE AT SITE:

- 1. Inspect machine for damage prior to acceptance. If damage is found, follow freight handler's procedure for claims.

B. STORAGE & PROTECTION

- 1. Machine should be stored in a site protected from weather, direct sunlight & temperature extremes. Do not remove packaging prior to storage.
- 2. If machine is to be stored for an extended period of time, consult manufacturer for special requirements.

1.04 SYSTEM STARTUP & COMMISSIONING

- A. Machine installation should be inspected by local manufacturer's representative prior to startup & operation. The party installing the machine is responsible for setting the schedule for this inspection.

PART 2 PRODUCTS

- A. Source quality
- B. Alliance Laundry Systems, UniMac, obtain commercial laundry equipment from a single manufacturer

1.02 QUALIFIED MODELS

- A. UniMac model **UWN035T3V** (no substitution)

PART 3 EXECUTION

1.01 INSTALLATION

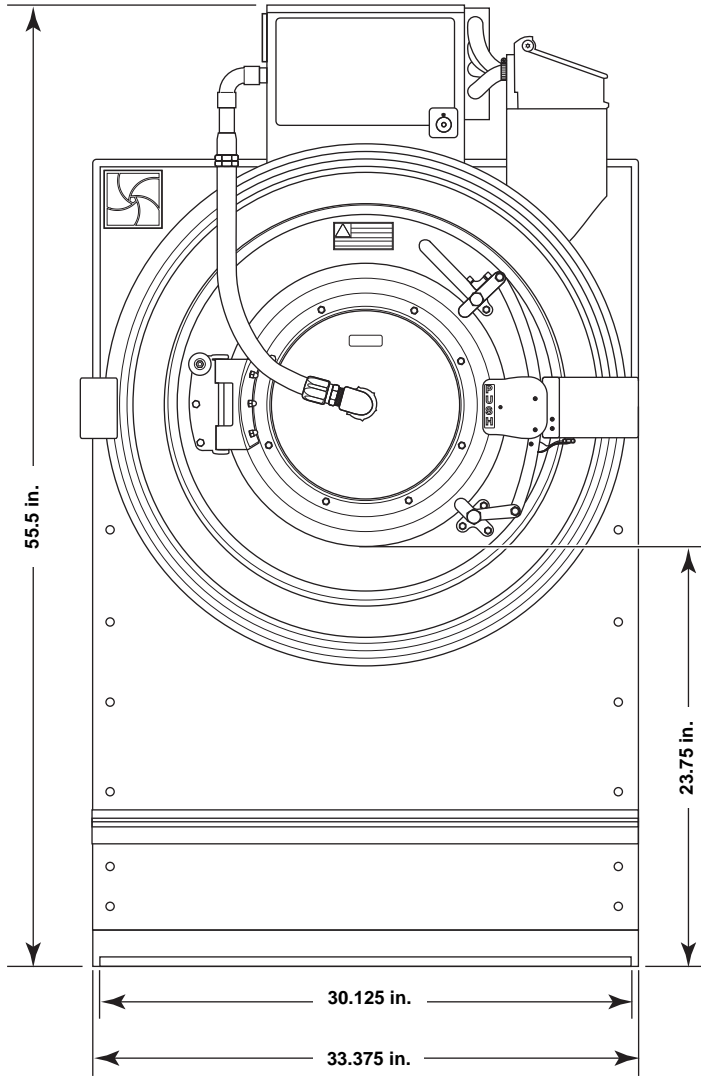
- A. Refer to & comply with manufacturer's installation instructions. Do not deviate without permission from site owner, architect, general contractor & manufacturer's local representative.

Machine Dimensions and Specifications

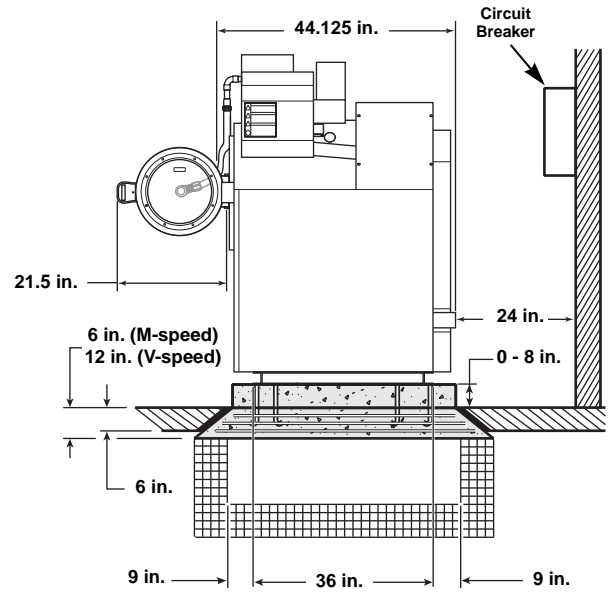
Models UWN035T3VX and UWN035T3VR



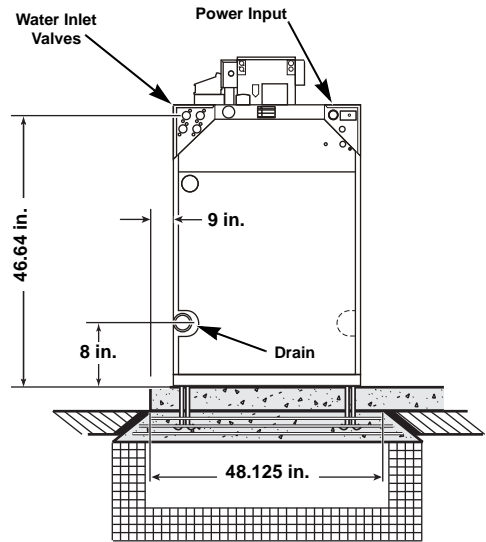
Dimensions and Foundation Requirements



Front



Right



Back

PHM779N

Electrical Specifications

Voltage Designation					Non-Electric Heat Machines (Standard)			
Code	Voltage	Cycle	Phase	Wire	Full Load Amps	Breaker (Non Fused)	AWG	mm ²
X	200-240	50/60	1/3	2/3	15/8	20/15	12/14	4/2.5
R	308-480	50/60	3	3	6	15	14	2.5

Water, Drain and Weight Specifications

Drain: Number (Size)	1 (2.375 in.)
Fill Water Inlets: Number (Size)	4 (0.5 in.)
Weight: Machine (With Shipping Packaging)	1030 lbs. (1085 lbs.)
Side Clearance:	6 in. (minimum) 18 in. (recommended)